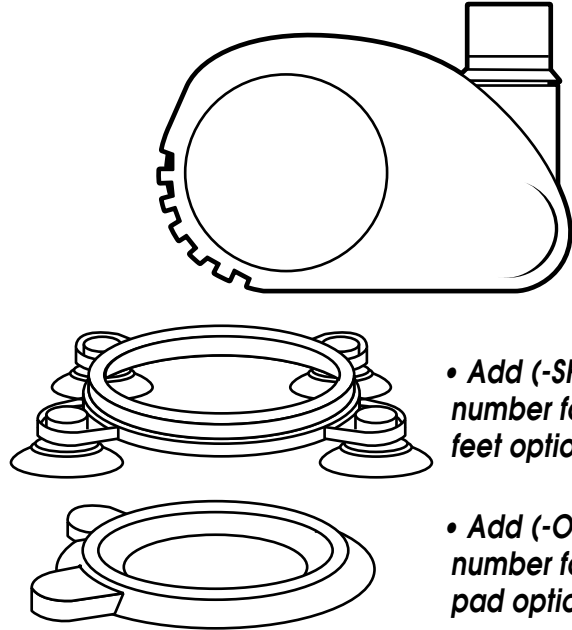


Table Top Fountain Pump

AP/UP-85
 AP/UP-125
 AP/UP-145
 UT-85

Submersible Pumps for Decorative Fountains, Waterfalls and Aquariums

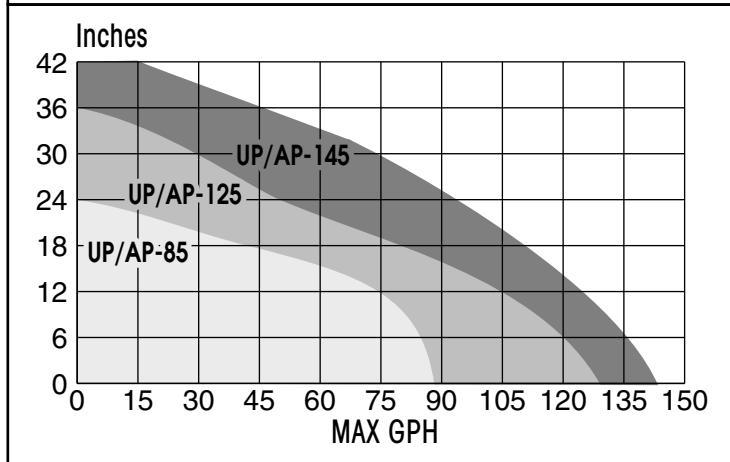


- Add (-SF) to model number for suction feet option.
- Add (-OB) to model number for O-Base pad option.

For models with ON/OFF switch on cord, add (-S) to model # on AP models only.

Pump Performance Chart

Stock No.	Watts	Max Head	GPH	6"	12"	18"	24"	30"	36"	42"	48"	L	W	H
UP/AP-85	6	24"	90	85	75	38	0	0	0	0	0	2-3/8"	2-1/8"	1-7/8"
UP/AP-125	6	42"	125	120	105	80	50	30	0	0	0	2-3/8"	2-1/8"	1-7/8"
UP/AP-145	6	48"	140	135	125	110	90	75	45	15	0	2-3/8"	2-1/8"	1-7/8"



- Energy saving, low operating cost mag driven rotor.
- Fully adjustable flow from 0 - Max GPH.
- Available in 2-wire for indoors and 3-wire for outdoor use.
- Standard 1/2" OD outlet. Optional 3/8" OD outlet available.
- UP-85, UP-125 and UP-145 comply to all international and domestic safety standards (CSA, NRTL-C, UP-85 UL listed).
- 12 Volt version available with or without integral submersible light, models B350 and UT-85 version require use of transformers.

United Pump's pumps are efficient and reliable. These pumps may be disassembled without the use of tools for easy cleaning.

United Pump, Inc.
 2357 Ventura Dr., Suite 102
 Woodbury, MN 55125

Phone: 651-731-1001
 Fax: 651-731-8404

