


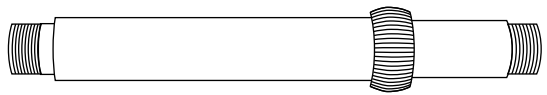
- UF-60 UF-69
- UF-61 UF-70
- UF-62 UF-72
- UF-63 UF-73
- UF-64 UF-74
- UF-65 UF-75
- UF-66 UF-76
- UF-67 UF-77
- UF-68

# Fountain Accessories

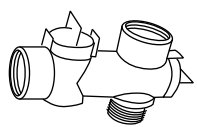
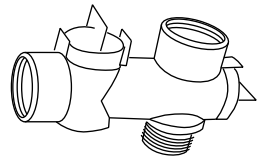
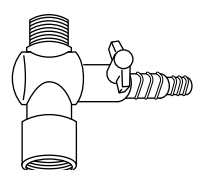
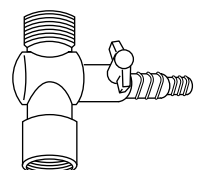
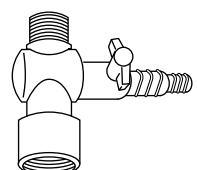
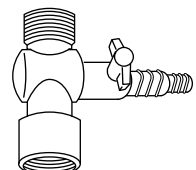
*for Decorative Fountains, Waterfalls and Aquariums*



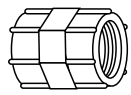
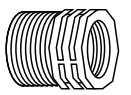
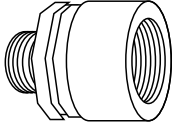
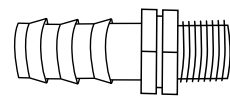
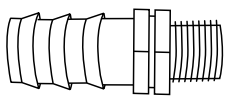
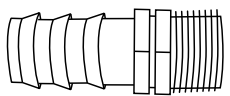
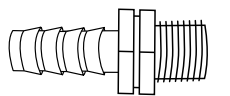
## Extension Tubes

-  **UF-61**  
3/4"
-  **UF-62**  
1/2"

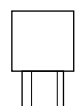
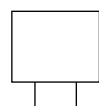
## Valves

- |  |   |   |  |   |   |
|--|---|---|--|---|---|
|  |  |  |  |  |  |
| <b>UF-69</b><br>1/2"<br>Double Valve   | <b>UF-70</b><br>3/4"<br>Double Valve  | <b>UF-72</b><br>1/2"M-1/2"F   | <b>UF-73</b><br>3/4"M-1/2"F  | <b>UF-74</b><br>1/2"M-3/4"F   | <b>UF-75</b><br>3/4"M-3/4"F   |

## Pipe Connectors

- |  |   |   |  |
|--|---|---|--|
|  |  |  |  |
| <b>UF-63</b><br>1/2" FF  | <b>UF-64</b><br>3/4"M 1/2"F   | <b>UF-65</b><br>1/2"M 3/4"F   |  |
|  |  |  |  |
| <b>UF-60</b><br>1/2"M 5/8" Barb  | <b>UF-66</b><br>1/2"M 3/4" Barb   | <b>UF-67</b><br>3/4"M 3/4" Barb   | <b>UF-68</b><br>1/2"M 1/2" Barb  |

## Adapters

-  **UF-76**  
Slip Outlet Adapter  
for UP-170
-  **UF-77**  
Slip 1/2"F Adapter  
(Provided with  
UP-170 & 170-F)



United Pump, Inc.  
2357 Ventura Dr., Suite 102  
Woodbury, MN 55125  
Phone: 651-731-1001  
Fax: 651-731-8404

*United Pump's pumps are efficient and reliable. These pumps may be disassembled without the use of tools for easy cleaning.*